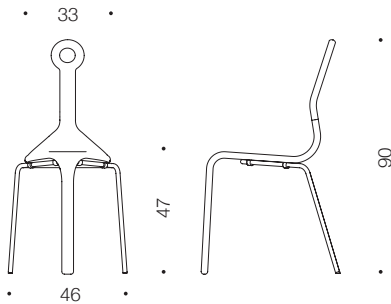


GruuGruu

design Kari Asikainen

GruuGruu is comfortable to sit in, as it's ergonomically designed despite its unusual appearance. The chair is easy to move and stack, and it can also be hung from the handle. The chair is made of ash. The seat can be stained to a preferred colour. The surface can be lacquered or waxed. The GruuGruu chair's metal legs are made of steel, and they can be painted.



PRODUCT DETAILS

Wooden parts: ash
Other woods upon request
Metal legs: painted

See the collection here: www.arktis.fi/products/collections/gruugruu

ARKTIS



ARKTIS Furniture Oy
Finland
Tel: +358 400 740 212
sales@arktis.fi
www.arktis.fi