

PiiTii

Sofa and armchairs

Design Mikko Halonen

The PiiTii series armchair and sofa combine beautifully designed wood and upholstered surfaces. Thoughtful round shapes and a strong look of wood create a feeling of softness in the space and exude a peaceful atmosphere. The versatile combination of wood and upholstery offers the opportunity to create individual furniture solutions and integrate them with the rest of the interior.

Sustainability has been taken into account in the PiiTii series. The seat part's upholstery is replaceable, making it possible to change the fabric to prolong its life cycle.

The armchair comes with either wooden legs or a metal swivel base. The PiiTii series also includes a sofa table and bench with the same look and feel.

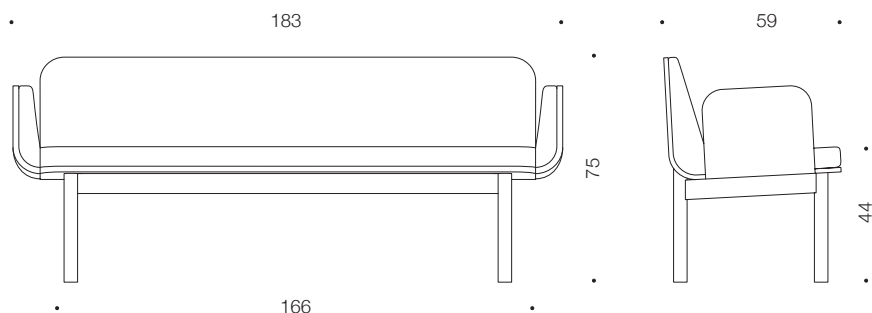


ARKTIS



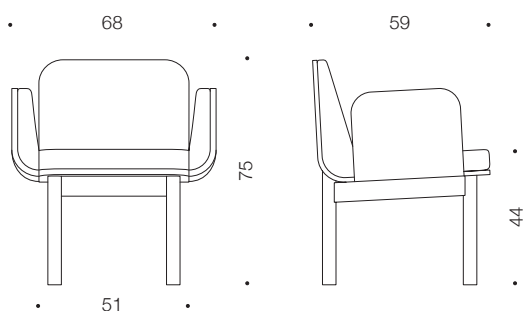
ARKTIS Furniture Oy
Finland
sales@arktis.fi
www.arktis.fi

PiiTii Sofa



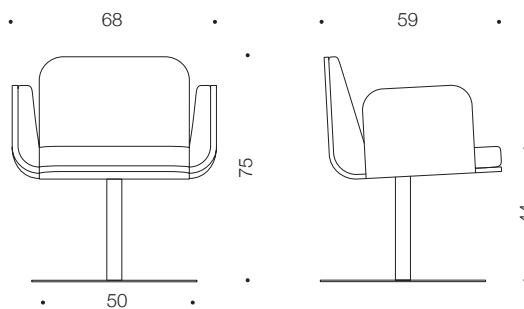
Codes:
 pt32 183 cm (with armrests)
 pt31 174,5 cm (one armrest)
 pt30 166 cm (no armrests)

PiiTii Lounge chair



Codes:
 pt12 68 cm (with armrests)
 pt11 59,5 cm (one armrest)
 pt10 51 cm (no armrests)

PiiTii Swivel chair



Codes:
 pt12 F 68 cm (with armrests)
 pt11 F 59,5 cm (one armrest)
 pt10 F 51 cm (no armrests)

PiiTii Writing tablet W

Measurements:
 38,5 x 26 cm

Codes:
 WR right
 WL left

Available upon request for
 PiiTii sofa, lounge chair and swivel chair

PRODUCT DETAILS

Ash. Other wood options on request.

Writing tablet for sofa/lounge chair is available on request.

Flange foot: RAL9005 black, RAL9006 silver or RAL9003 white.

Other paint colors on request.

See the collection: www.arktis.fi/products/collections/piitii

January 2025



ARKTIS Furniture Oy
 Finland
 sales@arktis.fi
 www.arktis.fi