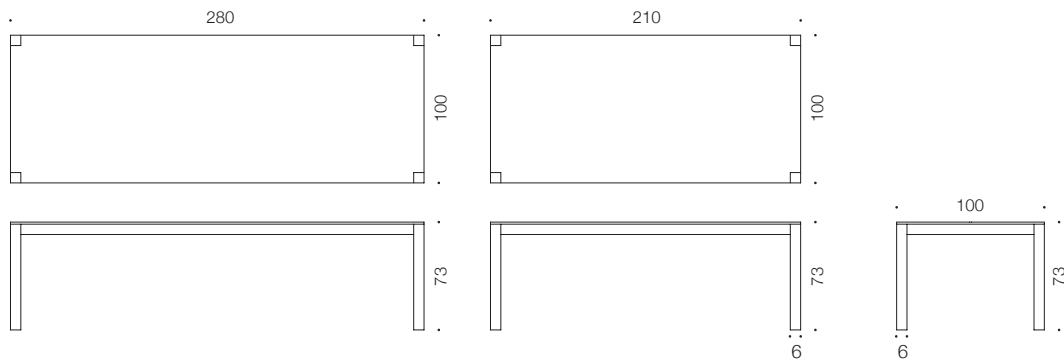


TEMPO t44 conference table

design Timo Saarnio

Tempo t44 is a stable wood table. The legs are 60 x 60 mm and are made of solid wood. The top is veneered. A hatch for electricity comes as an accessory. Choice of wood material and surface treatment are according to request.

ARKTIS



PRODUCT DETAILS

Solid wood frame & legs (oak/ash)
Veneered tabletop

Code	Size (cm)	Height (cm)
t44/210x100	210 x 100	73
t44/280x100	280 x 100	73

		Surface treatment	
		Lacquered	Stained
Veneer top	Oak	○	○
	Ash	○	○



ARKTIS Furniture Oy
Finland
sales@arktis.fi
www.arktis.fi