

PINO stackable table

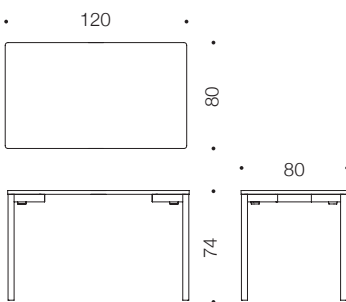
design Mikko Halonen

The table looks like a standard four-leg table. However, two legs can be moved out of the way to stack the tables when needed. This is made possible with a frame to which two legs are attached with hinges. The legs can be turned by releasing the latches at the legs and moving the legs out. The mechanism allows the tables to be covered with tablecloths or placed beside each other nicely, without any gaps between them. And when needed, they can be stacked and transported away.

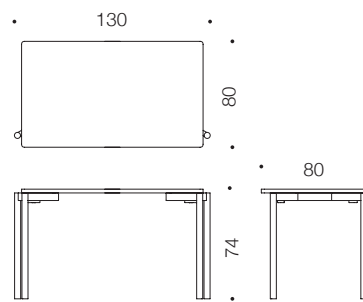
For transport purposes, it is possible to equip some of the tables with strong castors and then stack other tables on top of them. Also, smaller rolls can be attached to two legs for easy moving of an individual table in use. There is additionally a table trolley available.



Legs inside tabletop



Legs out for stacking



PRODUCT DETAILS

Project product, ask our sales for minimum order quantity

Painted metal frame & legs

Tabletop: laminate or veneer (birch / oak / ash)

Code	Size (cm)	Height (cm)
Pi/60x60	60 x 60	74
Pi/120x80	120 x 80	74
Pi/180x80	180 x 80	74

Options

Wheels on legs for moving according to request

See the collection: www.arktis.fi/products/collections/pino

January 2025

ARKTIS



ARKTIS Furniture Oy
Finland
sales@arktis.fi
www.arktis.fi