

ELLA series

design Timo Saarnio

ARKTIS



The Ella series, made of solid wood, creates a beautiful and unified collection of furniture. With it, it is easy to compose a welcoming space for a pleasant meeting, for instance, around lunch. The Ella series' pieces have recognizable, soft, and linear features.

The round solid wood legs narrow towards the floor, softening the pieces. The Ella chair and stool have veneer seats and backrests, and the Ella table and bench have rounded corners. Thanks to the rounded shapes, the Ella series is easy to approach, and the pieces bring a soft and peaceful atmosphere to any space.

It is possible to add hanging bars under the Ella table, onto which the Ella chairs or benches can be lifted, making it easy to clean. This way, the floor and table surfaces are available to wipe clean.

The Ella series is available in birch, beech, or oak. The chair, stool seat, and backrest are available in veneer or laminate, and the seat can be upholstered. The table top is available in veneer or laminate, and the bench seat is available in veneer, laminate, or upholstered. The colours and materials can be made according to the interior design plan. The furniture feet have plastic or felt pads.

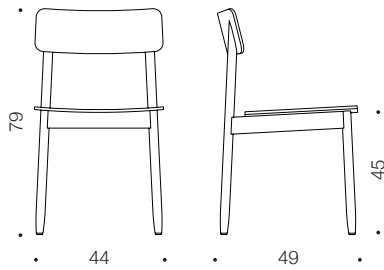


ARKTIS Furniture Oy
Finland
sales@arktis.fi
www.arktis.fi

ELLA series

design Timo Saarnio

Chair e15



Bar stool e17

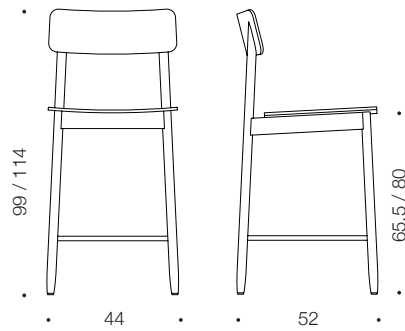
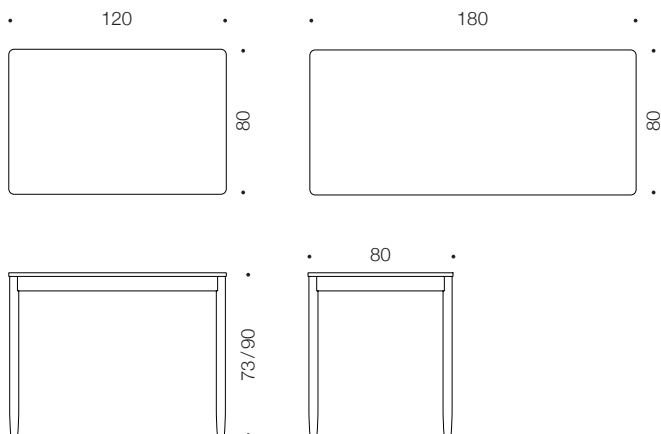


Table e10



ARKTIS

PRODUCT DETAILS

Wooden parts: birch, beech or oak
Upholstery: according to interior plan
Chair e15 is not stackable

See the collection: www.arktis.fi/products/collections/ella

March 2025



ARKTIS Furniture Oy
Finland
sales@arktis.fi
www.arktis.fi