

KORE collection

design Mikko Halonen



ARKTIS



ARKTIS Furniture Oy
Finland
sales@arktis.fi
www.arktis.fi

See the collection: www.arktis.fi/products/collections/kore

KORE metal chair

design Mikko Halonen

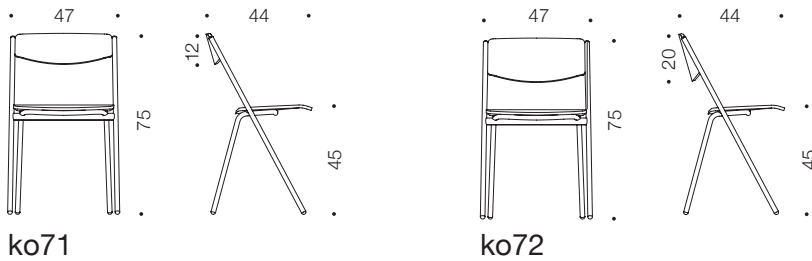
Kore collection is designed for canteens and cafes. It is also a good choice for modern learning environments. Thanks to its compact size, it is possible to have maximum seating without compromising seat comfort.

The Kore chair and table with steel frame complete the Kore collection. The ease of maintenance has especially been considered. Kore chair can be hung under the Kore table (ko70), between the tabletop and frame, making the floor and tabletop cleaning easy. No additional hanging equipment is needed.

Kore ko71 is suitable for general use, such as adult education spaces, whereas ko72, with a larger backrest, is recommended for primary schools.



ko72



ko71

ko72



ko71

PRODUCT DETAILS

Project product, ask our sales for minimum order quantity
Powder painted metal frame
Plywood seat & backrest (birch / oak / laminate)
Wooden parts lacquered
Stackable: ko71 stacks 5 pcs, ko72 stacks 3 pcs

Options

Two options for backrest: ko71 (smaller) and ko72 (larger)
Seat & back: stained
Upholstery: seat
Metal frame: special color paint

See the collection: www.arktis.fi/products/collections/kore

ARKTIS



ARKTIS Furniture Oy
Finland
sales@arktis.fi
www.arktis.fi

February 2025

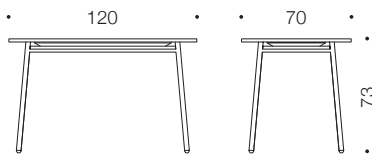
KORE table

design Mikko Halonen

Kore collection is designed for canteens and cafes. It is also a good choice for modern learning environments. The ease of maintenance has especially been considered. Kore chair can be hung under the tabletop, between the tabletop and frame, to make the clean-up of the tabletop and floor smooth. And no additional hanging equipment is needed.

Project product, ask our sales for minimum order quantity.

ARKTIS



ko70

PRODUCT DETAILS

Powder painted metal frame
Tabletop veneered plywood (birch / oak / laminate)
Wooden parts lacquered

Options

Metal frame: special color paint
Tabletop: stained, painted, laminate

See the collection: www.arktis.fi/products/collections/kore

February 2025



ARKTIS Furniture Oy
Finland
sales@arktis.fi
www.arktis.fi

KORE S chair

design Mikko Halonen

The Kore S chair is designed to be versatile, making it ideal for various work and learning environments. It has a lightweight design, both in appearance and weight, which makes it easy to move around. The chair's ergonomic features support an upright sitting position, promoting a healthy posture.

Kore S is available with or without armrests and is stackable for convenient storage. Additionally, Kore S1 offers an optional row connection. A chair trolley is also available for easier transportation.

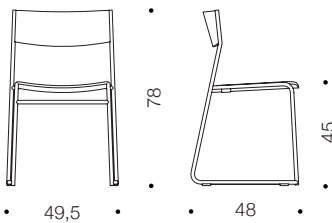


S1

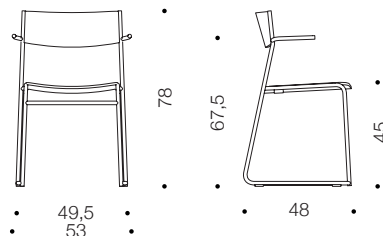


S2

S1



S2



Codes:

C = seat cushion upholstered
B = front upholstered
BC = front and seat top upholstered
BBCC = backrest and seat fully upholstered

PRODUCT DETAILS

Powder painted metal frame RAL9005 black
Plywood seat & backrest as standard (black, white or oak laminate), other options on request
Upholstery adds +10mm to seat height
Stackable max. 6pcs on the floor, 20pcs on Kore trolley

Options

Row connection
Accessories: transport & storage trolley

See the collection: www.arktis.fi/products/collections/kore

August 2025

ARKTIS



ARKTIS Furniture Oy
Finland
sales@arktis.fi
www.arktis.fi

KORE S4P chair

design Mikko Halonen

The Kore S4P chair is designed to be versatile. Its ergonomic features support an upright sitting position, promoting a healthy posture. This, combined with its lightweight design, makes it ideal for various work and learning environments, and easy to move around.

The Kore S4P is available in 45cm and 50cm heights, with or without armrests. This flexibility allows for seating customisation, making it ideal for users of all ages and preferences.

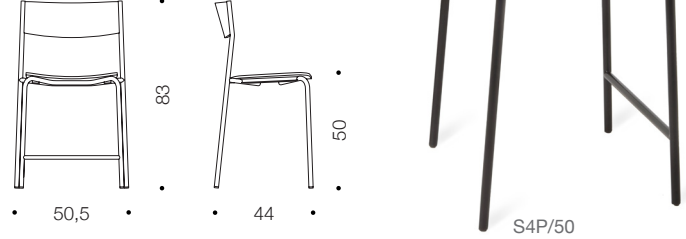
Kore S4P is stackable for convenient storage.

ARKTIS

S4P/45



S4P/50



S4Pk/45



S4Pk/50



PRODUCT DETAILS

Powder painted metal frame RAL9005 black
Plywood seat & backrest as standard (black, white or oak laminate), other options on request
Stackable max. 6pcs on the floor, max. 20pcs on Kore trolley
Select plastic or felt gliders when placing the order

Options

Row connection
Accessories: transport & storage trolley

Codes:

C = seat cushion upholstered
B = front upholstered
BC = front and seat cushion upholstered
BBCC = backrest and seat fully upholstered

See the collection: www.arktis.fi/products/collections/kore

August 2025



ARKTIS Furniture Oy
Finland
sales@arktis.fi
www.arktis.fi

KORE R chair

design Mikko Halonen

Kore R is designed to fit a variety of spaces, particularly in work and learning environments. The chair is lightweight in both appearance and weight. Its ergonomic design promotes a healthy upright sitting position, and the gas spring mechanism allows for easy height adjustment. Kore R is available with or without armrests.

ARKTIS



R1

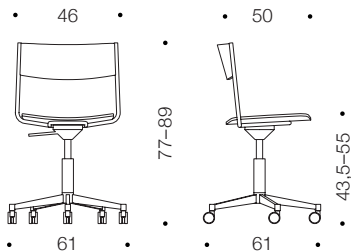


R1BC

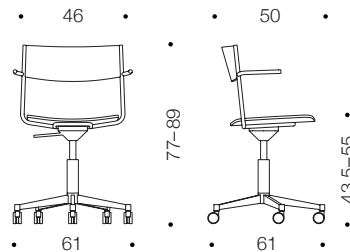


R1BBCC

R1



R2



R2

PRODUCT DETAILS

Plywood seat & backrest (black, white or oak laminate)
Black 5-star leg with plastic swivel base and gas spring
Castors or glides

Options

Option: castors with brakes
Aluminium swivel base

Codes:

C = seat cushion upholstered
B = front upholstered
BC = front and seat top upholstered
BBCC = backrest and seat fully upholstered

See the collection: www.arktis.fi/products/collections/kore

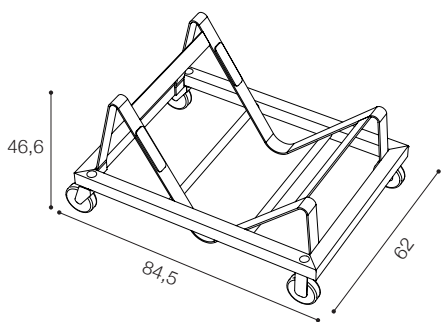
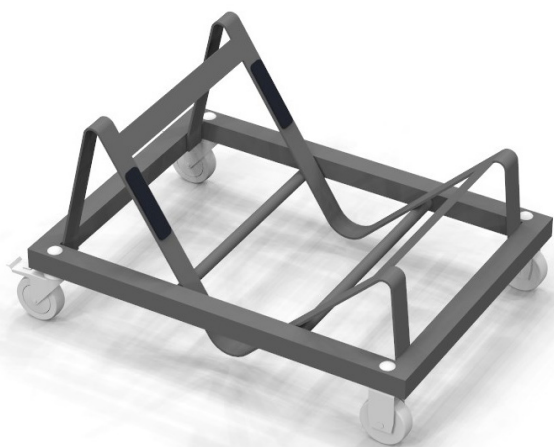
June 2025



ARKTIS Furniture Oy
Finland
sales@arktis.fi
www.arktis.fi

KORE chair trolleys

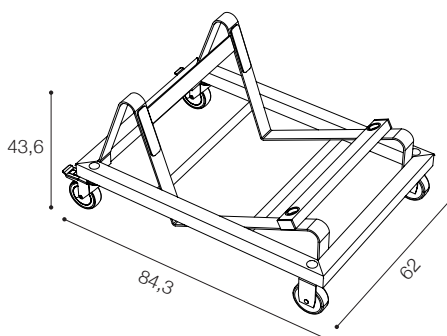
A steel framed trolley for Kore chairs.
The castors allow the trolleys to move easily.



Kore S trolley

For models: S1 and S2

Max. 20 pcs stacked
Total height / width with 20 chairs:
132 cm / 89,5 cm



Kore S4P trolley

For models: S4P/45, S4P/50
S4Pk/45, S4P/50

Max. 20 pcs stacked
Total height / width with 20 chairs:
S4P/45 86cm / 168,5 cm
S4P/50 175 cm / 87,2 cm

PRODUCT DETAILS

RAL9005 black

Two castors with brakes, two castors without brakes