

# KORE S4P chair

design Mikko Halonen

The Kore S4P chair is designed to be versatile. Its ergonomic features support an upright sitting position, promoting a healthy posture. This, combined with its lightweight design, makes it ideal for various work and learning environments, and easy to move around.

The Kore S4P is available in 45cm and 50cm heights, with or without armrests. This flexibility allows for seating customisation, making it ideal for users of all ages and preferences.

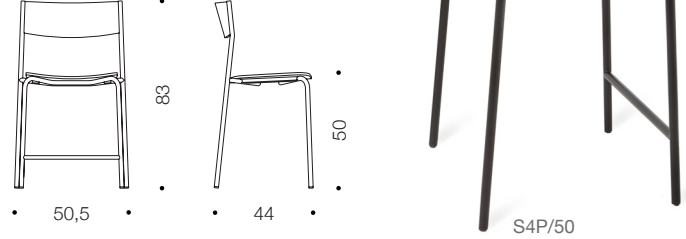
Kore S4P is stackable for convenient storage.

# ARKTIS

S4P/45



S4P/50



S4Pk/45



S4Pk/50



## PRODUCT DETAILS

Powder painted metal frame RAL9005 black  
Plywood seat & backrest as standard (black, white or oak laminate), other options on request  
Stackable max. 6pcs on the floor, max. 20pcs on Kore trolley  
Select plastic or felt gliders when placing the order

## Options

Row connection  
Accessories: transport & storage trolley

## Codes:

C = seat cushion upholstered  
B = front upholstered  
BC = front and seat cushion upholstered  
BBCC = backrest and seat fully upholstered

See the collection: [www.arktis.fi/products/collections/kore](http://www.arktis.fi/products/collections/kore)

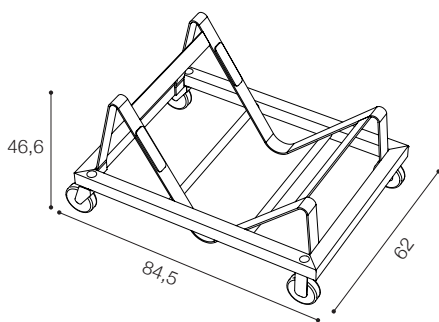
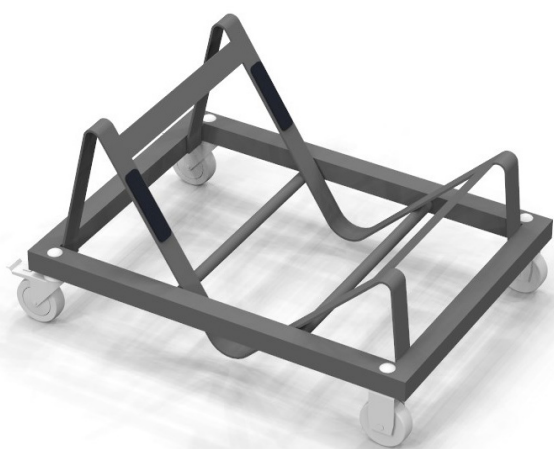
August 2025



**ARKTIS Furniture Oy**  
Finland  
[sales@arktis.fi](mailto:sales@arktis.fi)  
[www.arktis.fi](http://www.arktis.fi)

## KORE chair trolleys

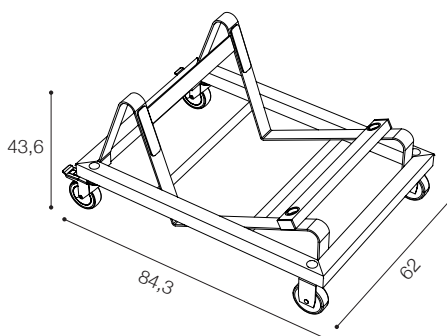
A steel framed trolley for Kore chairs.  
The castors allow the trolleys to move easily.



### Kore S trolley

For models: S1 and S2

Max. 20 pcs stacked  
Total height / width with 20 chairs:  
132 cm / 89,5 cm



### Kore S4P trolley

For models: S4P/45, S4P/50  
S4Pk/45, S4P/50

Max. 20 pcs stacked  
Total height / width with 20 chairs:  
S4P/45 86cm / 168,5 cm  
S4P/50 175 cm / 87,2 cm

### PRODUCT DETAILS

RAL9005 black

Two castors with brakes, two castors without brakes