

KORE S chair

design Mikko Halonen

The Kore S chair is designed to be versatile, making it ideal for various work and learning environments. It has a lightweight design, both in appearance and weight, which makes it easy to move around. The chair's ergonomic features support an upright sitting position, promoting a healthy posture.

Kore S is available with or without armrests and is stackable for convenient storage. Additionally, Kore S1 offers an optional row connection. A chair trolley is also available for easier transportation.

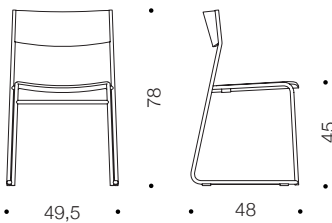


S1

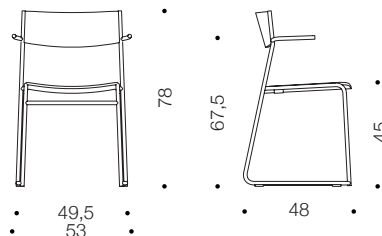


S2

S1



S2



Codes:

C = seat cushion upholstered
B = front upholstered
BC = front and seat top upholstered
BBCC = backrest and seat fully upholstered

PRODUCT DETAILS

Powder painted metal frame RAL9005 black
Plywood seat & backrest as standard (black, white or oak laminate), other options on request
Upholstery adds +10mm to seat height
Stackable max. 6pcs on the floor, 20pcs on Kore trolley

Options

Row connection
Accessories: transport & storage trolley

See the collection: www.arktis.fi/products/collections/kore

August 2025

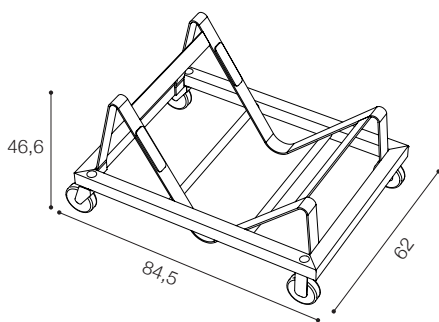
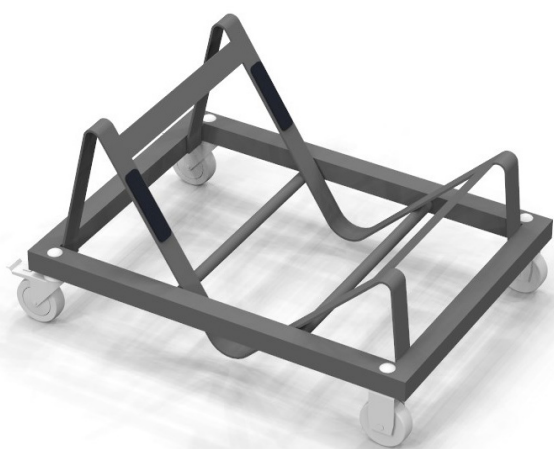
ARKTIS



ARKTIS Furniture Oy
Finland
sales@arktis.fi
www.arktis.fi

KORE chair trolleys

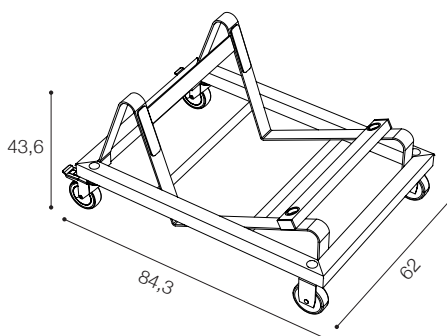
A steel framed trolley for Kore chairs.
The castors allow the trolleys to move easily.



Kore S trolley

For models: S1 and S2

Max. 20 pcs stacked
Total height / width with 20 chairs:
132 cm / 89,5 cm



Kore S4P trolley

For models: S4P/45, S4P/50
S4Pk/45, S4P/50

Max. 20 pcs stacked
Total height / width with 20 chairs:
S4P/45 86cm / 168,5 cm
S4P/50 175 cm / 87,2 cm

PRODUCT DETAILS

RAL9005 black

Two castors with brakes, two castors without brakes